

# FAREAST 19R



## RETAIL PRICELIST 2017

International, ver1

### STANDARD EQUIPMENT

Design	Simonis -Voogd	Displacement	650 kg	J	2.08 m
Lenght overall	5,91 m	Downvind	42m <sup>2</sup>	I	7.34 m
Lenght waterline	5,65 m	Upwind	22m <sup>2</sup>	P	7.35 m
Beam	2,22 m	CE	Class C	E	2.50 m
Draft max	1,2 m				

#### CONSTRUCTION

##### HULL

Vaccum infused sandwich hull with isopolyeseter resin  
White hull  
Powerful inner structure distributes all loads from keel and rigging

##### KEEL

1.2Mt lifting T- shaped keel with carbon fin, lead bulb

##### RUDDER

Carbon rudder and tiller, tiller extension

##### DECK

Sandwich build deck with antislip surface  
Reinforced laminate plates at mounting positions of deck fittings

##### INTERIOR

1 PCS Quick-Access utility pockets

##### WATER SYSYTEM

Manual bilge pump in cockpit

#### MAST AND RIGGING

##### MAST

Selden aluminum mast, mast foot,  
1 set of swept spreaders  
Selden boom with outhaul  
1 reefing line  
Vang system with Harken cleats and blocks

##### STANDING RIGGING

Selden S/S standing rigging  
Selden forestay

##### RUNNING RIGGING

1 Main halyard  
1 Jib halyard  
1 Gennaker halyard  
1 Cunningham line  
1 Outhaul line

##### BOW SPRIT

Retractable bow sprit in ALU  
Cam cleat for tack line and launching system mounted to starboard of cabin

##### SAILS

Main - ZZ Black Polyester  
Jib - ZZ Black Polyester  
Gennaker - Nylon 0,75

#### DECK

##### MAIN SAIL

Harken adjustable mainsheet traveller with 2:1 control line and cam cleats  
Harken 4:1 mainsheet system leading to ratchet block and cam mounted on swivel base.  
1 main sheet

##### JIB

2 Harken Jib T-tracks with cars  
2:1 Jib sheet system  
2 Harken cleats and turning block  
2 Jib sheets

##### GENNAKER

2 Harken blocks aft  
2 Harken Ratchmatic turning block  
2 Harken cam cleats  
Gennaker sheet  
Gennaker drop bag

##### GUARD RAIL

Four low height SS stanchions and two SS stern rails at transom corners.  
SS life lines

##### MISCELLANEOUS

Owner's manual  
Outboard engine bracket max.20kg  
Companion way cover

# FAREAST 19R

## PRICELIST 2017

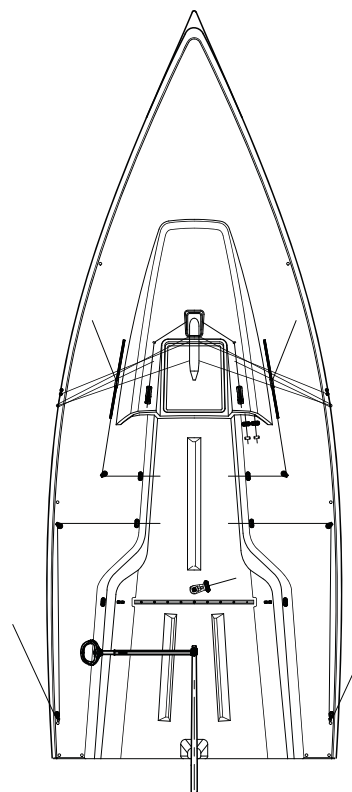
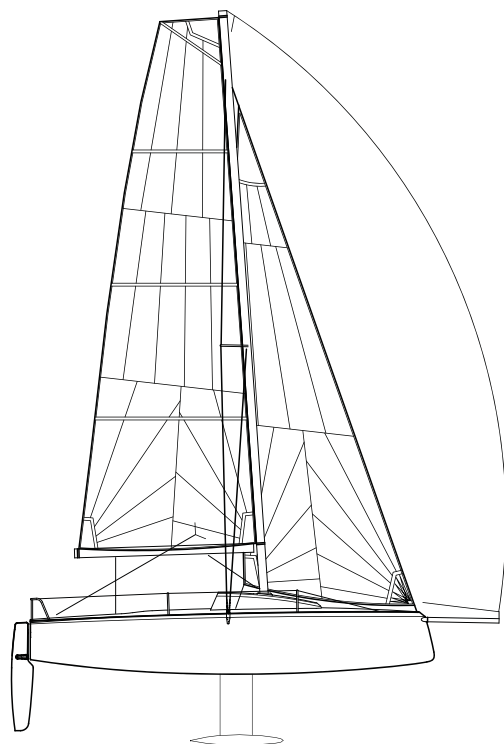
### STANDARD BOAT

220.000 SEK

### OPTIONS

Rudder cover	SEK 1.000
Boat cover	SEK 3.200
Mooring pack, 4 fenderts + 4 mooring lines	SEK 1.100
Keel lifting system	SEK 4.500
Shipping cradle <i>(Up to 4 boats can be shipped in a 40" container)</i>	1pc - SEK 4.500 2pcs - SEK 5.000 4pcs - SEK 10.000
Hull color, other than std White Lemon Yellow, Ferrari Red, Noble Black, Blue	SEK11.200

Alla priser är i SEK inkl. moms, ex frakt ifrån varvet. Priserna är beräknade på en Dollarkurs om \$1=9.00 SEK. Alla vikter och mått är kalkylerade mått, baserade på konstruktionsdata. Fareast förbehåller sig rätten att utan föregående meddelande modifiera specifikationer och priser. Nordic Yachts justerar priserna efter gällande växelkurs per betaldag.



Find us on Facebook [facebook.com/foreastyachts](https://www.facebook.com/foreastyachts)

[facebook.com/nordicyachts](https://www.facebook.com/nordicyachts)



**NORDIC YACHTS AB**  
Bullandö Marina | 13956 VÄRMDÖ  
Tel: 08-570 22550  
[www.nordicyachts.se](http://www.nordicyachts.se) | [info@nordicyachts.se](mailto:info@nordicyachts.se)

